



Here to help

UNIVERSAL GRP DRY VALLEY SYSTEM

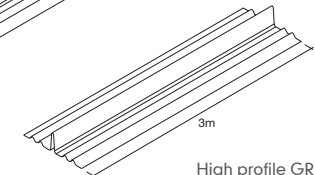
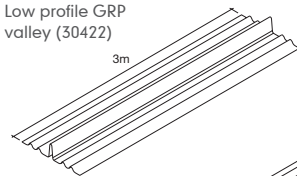
Developed to allow the designer freedom to specify a completely mortar-free roof, this system utilises the latest GRP technology.

The advanced and unique gutter section improves discharge rates and gives the appearance of a close-cut finish.

Min. pitch 17.5°.

COMPONENTS

Low profile GRP valley (30422)



High profile GRP valley (30421)

ALSO AVAILABLE

Tile tail clips - pack of 20 (43602)

Head clips - pack of 20 (43604)

GRP DRY VALLEY TROUGH SUITABILITY

Tile	High profile	Low profile
Ludlow Plus	•	
Ludlow Major	•	
Mendip	•	
Double Roman	•	
Anglia	•	
Wessex	•	
Modern/ Duo Modern		•
Edgemere/Duo Edgemere	•	
Ashmore/Plain		•
Maxima/Melodie	•	
Lincoln	•	
Eden	•	

FIXING INSTRUCTIONS

Universal GRP dry valley system



Tell me more

Call 08705 626400

Email info@marley.co.uk

Or visit marley.co.uk

Marley, Lichfield Road, Branston,
Burton upon Trent, DE14 3HD

May 2019



Installation

- 1 In all cases, valley boards should be fitted. Valley boards may be inset or continuous over the rafters. Where they are inset, they should be a minimum of 12mm thick and supported on bearers or noggins of 50 x 25mm or similar and set at a depth to suit the thickness of the valley board (Fig. 1).
- 2 Continuous overlaid boards should be minimum of 6mm thick plywood and only butt jointed over a supporting rafter (Fig. 2).
- 3 The width of the valley boards should extend by a minimum of 50mm beyond the edge of the valley trough. For overlaid boards on rafter spacings above 450mm, it is recommended that support noggins of 75 x 50mm are fixed under the outer edge of the valley board between the rafters (Fig. 3).

The fascia or barge board may be trimmed to allow the valley trough to pass through without flattening the profile, or alternatively a lead soaker may be used if required.

LINING THE VALLEY

- 4 A single strip of roofing underlay, at least the full width (500mm) of the valley boards, should be laid up the centre and directly on top of the boards allowing for an overlap beyond the fascia line where appropriate and which may be trimmed later (Fig. 4).

FIXING THE VALLEY TROUGH

- 5 Fix dry valley trough by nailing outer welts to supporting timbers at 500mm max, centres, and overlapping lead (Code 4) apron by a minimum of 150-200mm.

Lay roof underlay to overlap valley trough and trim between outer and inner welts. Trim tiling. Battens to lap on to outer welt and nail to supporting timbers.

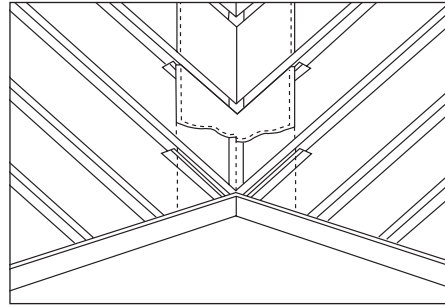


Fig. 1 – Construction of valley boards

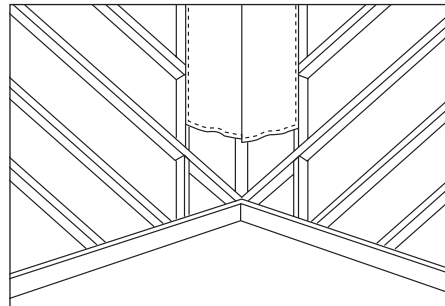


Fig. 2 – Butt joint valley boards over supporting rafters

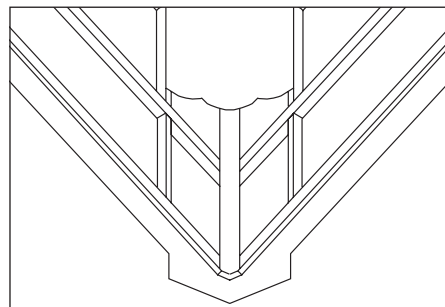


Fig. 3 – Use of support noggins

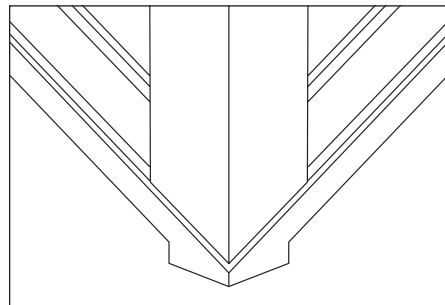


Fig. 4 – Lining the valley

- 6 Where a lead soaker is to be used at the foot of the valley, i.e. where the dry valley terminates above eaves level or where an eaves intersects with a verge or it is not appropriate to notch the fascia boards, the soaker should be welted at the edge and supported with suitable timber work.

The valley trough should be trimmed to suit before fixing if necessary.

LAYING RAKING CUT TILES TO VALLEY TROUGH

- 7 Cut raking tiles neatly to butt closely to central upstand of valley trough and secure all small raking cut tiles with tail clips or, where appropriate, use tile-and-a-half tiles to avoid small cut pieces.
- 8 Fill any small voids in the upstand of the valley trough with a suitable mastic.

VALLEY INTERSECTIONS

- 9 Where a section of dry valley intersects with another section of dry valley e.g. at the roof apex of a dormer roof or where one or more sections intersect with the ridge of a roof, it is necessary to mark the angle of intersection and cut the valley trough prior to fixing (figs. 7-9)

A minimum Code 4 lead saddle should then be dressed over the mitred sections of the dry valley(s) and ridge if necessary. The length of the overlap of the saddle onto the dry valley should be in accordance with LSA guidance.

Alternatively, the lead saddle may be dressed over the slates or tiles.

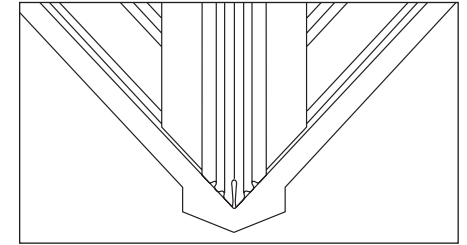


Fig. 5 – Fixing the valley trough

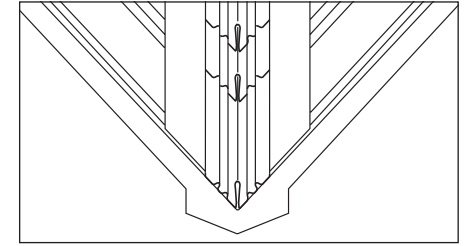


Fig. 6 – Valleys terminating above eaves level

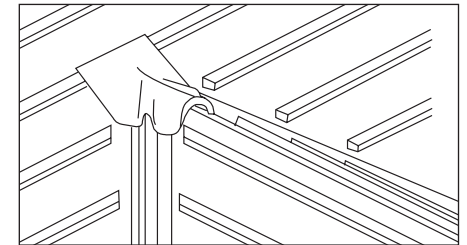


Fig. 7 – Mid-slope valley intersection

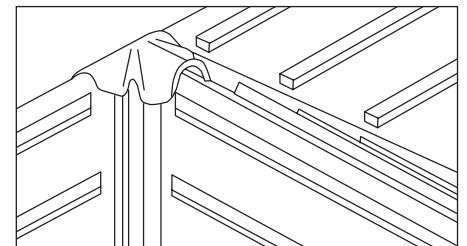


Fig. 8 – Roof apex level valley intersection

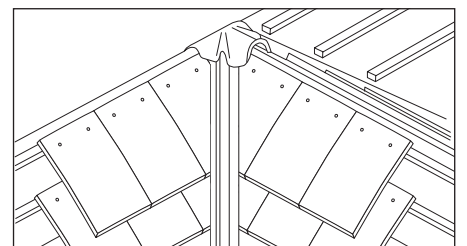


Fig. 9 – Cut tiles to rake of valley